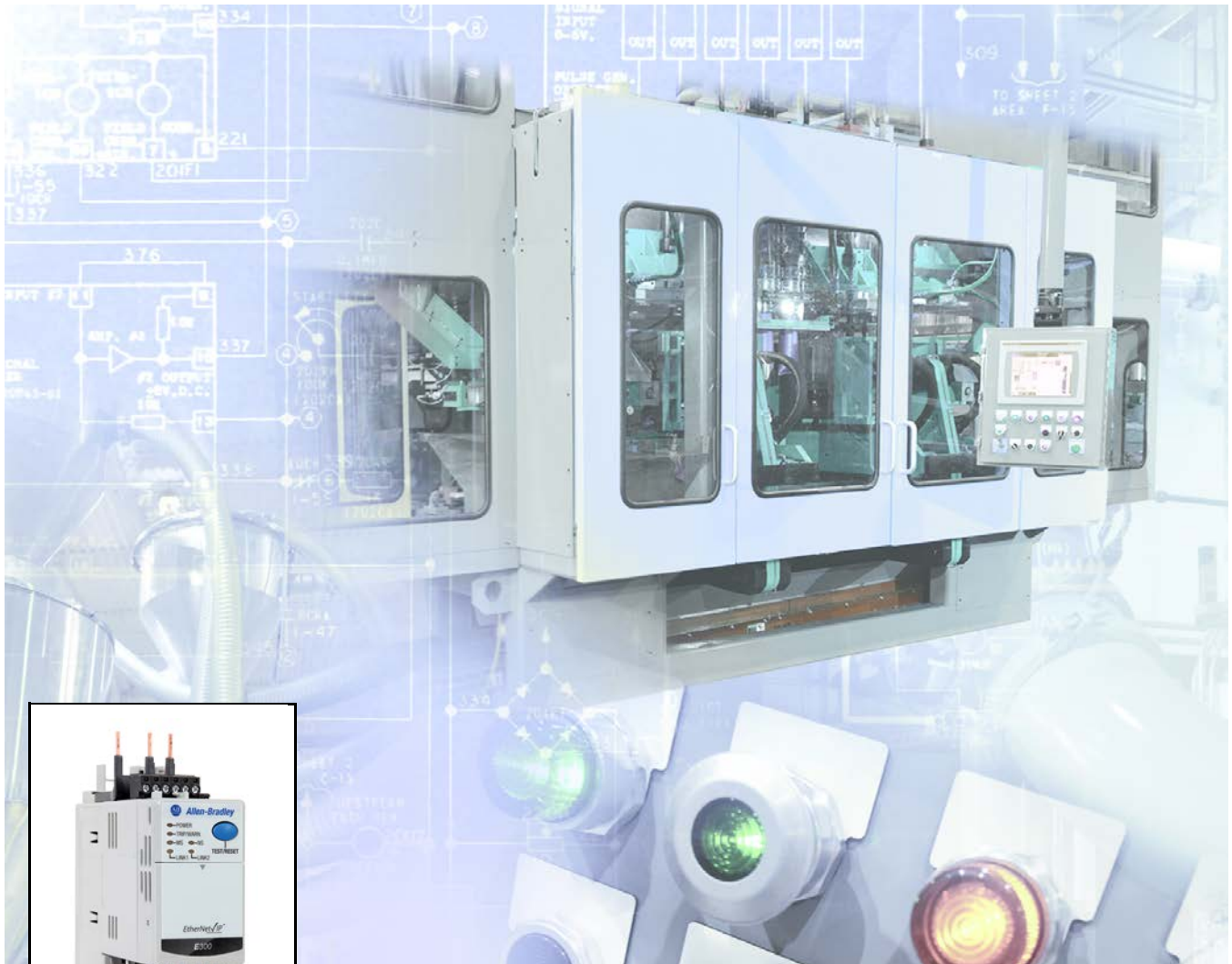


E300 Electronic Overload Relay

Bulletin Numbers 193, 592



LISTEN.
THINK.
SOLVE.®

What's Inside

Topic	Page
Bulletin 193/592-E300 Overview	3
Bulletin 193/592-E300 Product Selection	11
Sensing Modules	11
Control Modules	12
Accessories	13
Bulletin 193/592-E300 Specifications	15
Bulletin 193/592-E300 Approximate Dimensions	23

Bulletin 193/592-E300 Overview

The E300 Electronic Overload Relay is the newest technology for overload protection. Its modular design, communication options, diagnostic information, simplified wiring, and integration into Logix technology make this the ideal overload for motor control applications in an automation system.

E300 Electronic Overload Relays provide the following benefits:

- Intelligent motor control (EtherNet/IP enabled)
- Scalable solution
- Diagnostic Information
- Integrated I/O
- Adjustable trip class 5...30
- Wide current range
- Test/Reset button
- Programmable trip and warning settings
- True RMS current/voltage sensing (50/60 Hz)
- Protection for single- and three-phase motors

NOTE: Your order must include 1) the Cat. No. of the sensing module, control module, and communication module selected, and 2) if required, Cat. No. of any accessories.

Standards Compliance and Certifications

Standards Compliance	Certifications
UL508	UL Listed
UL1053 (Class I and Class II)	CE Marked
UL 60947-1	CSA Certified
UL 60947-4-1	CCC
EN 60947-1	KCC
EN 60947-4-1	
CSA22.2, No. 14	
CSA22.2, No. 60947-1	
CSA22.2, No. 60947-4-1	
GB 14048.4	

Product Overview

The E300 relay consists of three modules: sensing, control and communications. You have choices in each of the three with additional accessories to tailor the electronic overload for your application's exact needs.

Sensing Module

Sensing Options

- Voltage/current/ground fault
- Current/ground fault
- Current

Current Range [A]

- 0.5...30
- 6...60
- 10...100
- 20...200

Control Module

Control Voltage	I/O		I/O and Protection ⁽¹⁾	
	Inputs	Relay Outputs	Inputs	Relay Outputs
110...120V AC, 50/60 Hz	4	3	2	2
220...240V AC, 50/60 Hz	4	3	2	2
24V DC	6	3	4	2

(1) Includes PTC thermistor and external ground fault.

Communication Module

- EtherNet/IP

Expansion Digital I/O

You can add up to four additional expansion digital modules to the E300 relay expansion bus.

- 4 inputs/2 relay outputs
- 24V DC
- 120V AC
- 240V AC

Expansion Analog I/O

You can add up to four additional expansion analog modules to the E300 relay expansion bus.

- 3 universal analog inputs/1 analog output
- 0...10V
- 0...5V
- 1...5V
- 0...20 mA
- 4...20 mA
- RTD (2-wire or 3-wire)
- 0...150 Ω
- 0...750 Ω
- 0...3000 Ω
- 0...6000 Ω (PTC/NTC)

Expansion Power Supply

When more than one expansion digital module and one operator station are added to the E300 relay expansion bus, you need an expansion power supply to supplement power for the additional modules. One expansion power supply will power a fully loaded E300 relay expansion bus.

- 120/240V AC
- 24V DC

Expansion Operator Station

You can add one operator station to the E300 relay expansion bus to be used as a user interface device. The operator stations provide E300 relay status LEDs and function keys for motor control. The operator stations also support CopyCat™, which allows you to upload and download E300 relay configuration parameters.

- Control station
- Diagnostic station

Thermal Overload

Thermal Utilization

The E300 Electronic Overload Relay provides overload protection through true RMS current measurement of the individual phase currents of the connected motor. Based on this information, it calculates a thermal model that simulates the actual heating of the motor. Percent of thermal capacity utilization (%TCU) reports this calculated value and is read via a communications network. An overload trip occurs when the value reaches 100%.

Adjustable Settings

Set up thermal overload protection by programming the motor's full load current (FLC) rating and the desired trip class (5...30). Programming of the actual values through software programming ensures the accuracy of the protection.

Thermal Memory

The E300 Electronic Overload Relay includes a thermal memory circuit that is designed to approximate the thermal decay for a Trip Class 20 setting. This means that the thermal model of the connected motor is maintained at all times, even if the supply power is removed.

Reset Modes

This flexibility allows you to select between manual and automatic reset for an overload trip, allowing for broad application. The point of reset is adjustable from 1...100% TCU.

Time to Trip

During an overload condition, the E300 Electronic Overload Relay provides an estimated time to trip that is accessible via a communications network. This allows you to take corrective action so that production may continue uninterrupted.

Time to Reset

Following an overload trip, the E300 Electronic Overload Relay does not reset until the calculated percentage of thermal capacity utilization falls below the reset level. As this value decays, the time to reset, which is accessible via a communications network, is reported.

Thermal Warning

The E300 Electronic Overload Relay provides the capability to alert in the event of an impending overload trip. A thermal warning bit is set in the Current Warning Status when the calculated percentage of thermal capacity utilization exceeds the programmed thermal warning level, which has a setting range of 0...100% TCU.

Two-Speed Protection

The E300 Electronic Overload Relay offers a second FLA setting for 2-speed motor protection. What used to require two separate overload relays - one for each set of motor windings - is now accomplished with one device. Improved protection is delivered as thermal utilization is maintained in one device during operation in both speeds.

Overtemperature Protection (PTC and RTD)

The E300 Electronic Overload Relay provides motor overtemperature protection with the added provision for monitoring embedded positive temperature coefficient (PTC) thermistors with the E300 Control Module and resistance temperature detectors (RTD) with the E300 Analog Expansion Module. When the monitored PTC thermistors or RTD sensors exceed the programmed resistance level, the E300 Electronic Overload Relay can issue a Trip and/or Warning event.

Phase Loss

The E300 Electronic Overload Relay offers configurable phase loss protection, allowing you to enable or disable the function plus set a time delay setting, adjustable from 0.1...25.0 seconds. The trip level is factory set at a current imbalance measurement of 100%.

Ground (Earth) Fault

The E300 Electronic Overload Relay incorporates zero sequence (core balance) sensing into its design for low level (arcing) ground fault detection. Trip and warning settings are adjustable from 20 mA...5.0 A. For devices rated greater than 200 A and for ground fault detection less than 0.5 A, the external core balance current transformer accessory is required. Class I and Class II protection are provided as defined by UL1053. The E300 Electronic Overload Relay provides a max. trip-inhibit setting, offering flexibility to prevent tripping when the ground fault current magnitude exceeds 6.5 A. This can be useful to guard against the opening of the controller when the fault current could potentially exceed the controller's interrupting capacity rating.

Note: The E300 Electronic Overload Relay is not a Ground Fault Circuit Interrupter for personnel protection as defined in article 100 of the U.S. National Electric Code.

Stall

"Stall" is defined as a condition where the motor is not able to reach full-speed operation in the appropriate amount of time required by the application. This can result in motor overheating, as current draw is in excess of the motor's full load current rating. The E300 Electronic Overload Relay provides user-adjustable stall protection. The trip setting has a range of 100...600% FLA, and the enable time is adjustable up to 250 seconds.

Jam (Overcurrent)

The E300 Electronic Overload Relay can respond quickly to take a motor off-line in the event of a mechanical jam, thereby reducing the potential for damage to the motor and the power transmission components. Trip adjustments include a trip setting adjustable from 50...600% FLA and a trip delay time with a range of 0.1...25.0 seconds. A separate warning setting is adjustable from 50...600% FLA.

Underload (Undercurrent)

A sudden drop in motor current can signal conditions such as:

- Pump cavitation
- Tool breakage
- Belt breakage

For these instances, rapid fault detection can help minimize damage and aid in reducing production downtime.

Additionally, monitoring for an underload event can provide enhanced protection for motors that are coded by the medium handled (e.g., submersible pumps that pump water). Such motors can become overheated despite being underloaded. This can result from an absence or an insufficient amount of the medium (due to clogged filters, closed valves, etc.).

The E300 Electronic Overload Relay offers underload trip and warning settings adjustable from 10...100% FLA. The trip function also includes a trip delay time with a range of 0.1...25.0 seconds.

Current Imbalance (Asymmetry)

The E300 Electronic Overload Relay offers current imbalance trip and warning settings adjustable from 10...100%. The trip function also includes a trip delay time with a range of 0.1...25.0 seconds.

Remote Trip

The remote trip function allows an external device (such as a vibration sensor) to induce the E300 Electronic Overload Relay to trip. External device relay contacts are wired to the E300 Electronic Overload Relay discrete inputs. These discrete inputs are configurable with an option for assigning the remote trip function.

Voltage Protection

The E300 sensing module with voltage, current, and ground fault current will provide you with enhanced current-based motor protection with the addition of voltage protection. With this option, you can protect against voltage issues (such as undervoltage, voltage imbalance, phase loss, frequency, and phase rotation).

Power Protection

While the motor is powering a load, the E300 sensing module with voltage, current, and ground fault current, also protects the motor based on power. This option monitors and protects for both excessive and low real power (kW), reactive power (kVAR), apparent power (kVA), and power factor for a specific application (such as pump applications).

Analog Protection

The E300 analog expansion module allows you to protect against over-analog readings from analog-based sensors (overtemperature, overflow, overpressure, etc.)

Current Monitoring Functions

The E300 Electronic Overload Relay allows you to monitor the following operational data over a communications network:

- Individual phase currents — in amperes
- Individual phase currents — as a percentage of motor FLC
- Average current — in amperes
- Average current — as a percentage of motor FLC
- Percentage of thermal capacity utilized
- Current imbalance percentage
- Ground fault current

Voltage, Power, and Energy Monitoring

The E300 sensing module with voltage, current, and ground fault current can be included in a company's energy management system. This option provides voltage, current, power (kW, kVAR, and kVA), energy (kWh, kVARh, kVAh, kW Demand, kVAR Demand, and kVA Demand), and power quality (power factor, frequency, and phase rotation) information down at the motor level.

Diagnostic Functions

The E300 Electronic Overload Relay allows you to monitor the following diagnostic information over a communications network:

- Device status
- Trip status
- Warning status
- Time to an overload trip
- Time to reset after an overload
- History of past five trips
- History of past five warnings
- Hours of operation
- Number of starts
- Trip snapshot trip

Status Indicators

The E300 Electronic Overload Relay provides the following LED indicators:

- Power — This green/red LED indicates the status of the overload relay.
- TRIP/WARN — This LED flashes a yellow code under a warning condition and a red code when tripped.

Inputs/Outputs

Inputs allow the connection of such devices as contactor and disconnect auxiliary contacts, pilot devices, limit switches, and float switches. Input status can be monitored via the network and mapped to a controller's input image table. Inputs are rated

24V DC, 120V AC, or 240V AC and are current sinking. Power for the inputs is sourced separately with convenient customer sources at terminal A1. Relay contact outputs can be controlled via the network or DeviceLogix function blocks for performing such tasks as contactor operation.

Test/Reset Button

The Test/Reset button, located on the front of the E300 Electronic Overload Relay, allows you to perform the following:

- Test — The trip relay contact opens if the E300 Electronic Overload Relay is in an untripped condition and the Test/Reset button is pressed for 2 seconds or longer.
- Reset — The trip relay contact closes if the E300 Electronic Overload Relay is in a tripped condition, supply voltage is present, and the Test/Reset button is pressed.

Single/Three-Phase Operation

The E300 Electronic Overload Relay can be applied to three-phase as well as single-phase applications. A programming parameter is provided for selection between single- and three-phase operation. Straight-through wiring is afforded in both cases.

EtherNet/IP Communications

The E300 EtherNet/IP communication module has two RJ45 ports that act as an Ethernet switch to support a star, linear, and ring topology and supports the following:

- 2 concurrent Class 1 connections [1 exclusive owner + (1 input only or 1 listen only)]
- 6 simultaneous Class 3 connections (explicit messaging)
- Embedded web server
- SMTP server for trip and warning events (email and text messaging)
- Embedded EDS file
- RSLogix 5000 add-on profile

For more information on operation and maintenance of this product, please reference the user manual, publication 193-UM015.

Notes:

Bulletin 193/592-E300 Product Selection

Sensing Modules

Description	Mounting Options	Current Range [A]	For Use With	Cat. No.	
Current	IEC Contactors	0.5...30	100-C09...C23	193-ESM-I-30A-C23	
			100-C30...C55	193-ESM-I-30A-C55	
		6...60	100-C30...C55	193-ESM-I-60A-C55	
			100-C60...100-C97	193-ESM-I-100A-C97	
	DIN Rail / Panel Mount Power Terminals	0.5...30	100-D115...100-D180	193-ESM-I-200A-D180	
			All contactors and external current transformers	193-ESM-I-30A-T	
				All contactors	193-ESM-I-60A-T
					193-ESM-I-100A-T
	DIN Rail / Panel Mount Power Terminals. Directly replaces 193-ECPM_	6...60	All contactors and external current transformers.	193-ESM-I-200A-T	
				All contactors	193-ESM-I-30A-E3T
					193-ESM-I-60A-E3T
			10...100	All contactors	193-ESM-I-100A-E3T
	DIN Rail / Panel Mount Pass-thru	10...100	All contactors and external current transformers	193-ESM-I-30A-P	
				All contactors	193-ESM-I-60A-P
					193-ESM-I-100A-P
			20...200	All contactors	193-ESM-I-200A-P
	NEMA Contactors	20...200	NEMA Size 0...2	592-ESM-I-30A-S2	
				592-ESM-I-60A-S2	
			NEMA Size 3	592-ESM-I-100A-S3	
			NEMA Size 4	592-ESM-I-200A-S4	
Current/Ground Fault	IEC Contactors	0.5...30	100-C09...C23	193-ESM-IG-30A-C23	
			100-C30...C55	193-ESM-IG-30A-C55	
		6...60	100-C30...C55	193-ESM-IG-60A-C55	
			100-C60...100-C97	193-ESM-IG-100A-C97	
	DIN Rail / Panel Mount Power Terminals	10...100	100-D115...100-D180	193-ESM-IG-200A-D180	
			All contactors	193-ESM-IG-30A-T	
				All contactors	193-ESM-IG-60A-T
					193-ESM-IG-100A-T
	DIN Rail / Panel Mount Power Terminals. Directly replaces 193-ECPM_	20...200	All contactors and external current transformers.	193-ESM-IG-200A-T	
				All contactors	193-ESM-IG-30A-E3T
					193-ESM-IG-60A-E3T
			10...100	All contactors	193-ESM-IG-100A-E3T
	DIN Rail / Panel Mount Pass-thru	10...100	All contactors and external current transformers	193-ESM-IG-30A-P	
				All contactors	193-ESM-IG-60A-P
					193-ESM-IG-100A-P
			20...200	All contactors	193-ESM-IG-200A-P
	NEMA Contactors	20...200	NEMA Size 0...2	592-ESM-IG-30A-S2	
				592-ESM-IG-60A-S2	
			NEMA Size 3	592-ESM-IG-100A-S3	
			NEMA Size 4	592-ESM-IG-200A-S4	

Description	Mounting Options	Current Range [A]	For Use With	Cat. No.		
Voltage/Current/Ground Fault	IEC Contactors	0.5...30	100-C09...C23	193-ESM-VIG-30A-C23		
			100-C30...C55	193-ESM-VIG-30A-C55		
		6...60	100-C30...C55	193-ESM-VIG-60A-C55		
		10...100	100-C60...100-C97	193-ESM-VIG-100A-C97		
	DIN Rail / Panel Mount Power Terminals	20...200	100-D115...100-D180	193-ESM-VIG-200A-D180	193-ESM-VIG-200A-D180	
				0.5...30	All contactors	193-ESM-VIG-30A-T
				6...60		193-ESM-VIG-60A-T
				10...100		193-ESM-VIG-100A-T
	20...200	193-ESM-VIG-200A-T				
	DIN Rail / Panel Mount Power Terminals. Directly replaces 193-ECPM_	0.5...30	6...60	10...100	193-ESM-VIG-30A-E3T	
					6...60	193-ESM-VIG-60A-E3T
					10...100	193-ESM-VIG-100A-E3T
	DIN Rail / Panel Mount Pass-thru	0.5...30	External current and potential transformers		193-ESM-VIG-30A-CT	
	NEMA Contactors	0.5...30	6...60	NEMA Size 0...2	592-ESM-VIG-30A-S2	
					10...100	592-ESM-VIG-60A-S2
			20...200	NEMA Size 3	592-ESM-VIG-100A-S3	
NEMA Size 4				592-ESM-VIG-200A-S4		

Control Modules

Description	No. of Inputs/Outputs	Rated Control Voltage [V]	Cat. No.
I/O Module	6 in/3 out	24V DC	193-EIO-63-24D
	4 in/3 out	110...120V AC, 50/60 Hz	193-EIO-43-120
	4 in/3 out	220...240V AC, 50/60 Hz	193-EIO-43-240
I/O and Protection Module. Thermistor (PTC) and External Ground Fault Current ⁽¹⁾	4 in/2 out	24V DC	193-EIOGP-42-24D
	2 in/2 out	110...120V AC, 50/60 Hz	193-EIOGP-22-120
	2 in/2 out	220...240V AC, 50/60 Hz	193-EIOGP-22-240

(1) Requires Core Balanced Ground Fault Sensor Cat. No. 193-CBCT_.

Communication Modules

Description	Cat. No.
EtherNet/IP	193-ECM-ETR

Expansion Modules

Description	No. of Inputs/Outputs	Rated Control Voltage [V]	Cat. No.
Digital Expansion Module, 24V DC	4 in/2 out	24V DC	193-EXP-DIO-42-24D
Digital Expansion Module, 120V AC	4 in/2 out	110...120V AC, 50/60 Hz	193-EXP-DIO-42-120
Digital Expansion Module, 240V AC	4 in/2 out	220...240V AC, 50/60 Hz	193-EXP-DIO-42-240
Analog Expansion Module: mA, V, RTD, and Resistance	3 universal in/1 out	—	193-EXP-AIO-31 ⁽¹⁾
Expansion Power Supply	—	24V DC	193-EXP-PS-DC
		110...240V AC, 50/60 Hz	193-EXP-PS-AC
Starter Control Station with 3-Meter Cable	—	—	193-EOS-SCS
Starter Diagnostic Station with 3-Meter Cable	—	—	193-EOS-SDS ⁽¹⁾

(1) Module requires control module firmware v3.000 or higher.

Accessories

Description	For Use With	Cat. No.
Contactor Coil Module	100-C09 . . . 100-C23 contactors	193-EIO-CM-C23
	100-C30 . . . 100-C55 contactors	193-EIO-CM-C55
	100-C60 . . . 100-C97 contactors	193-EIO-CM-C97
1-Meter Expansion Module Cable	—	193-EXP-CBL-1M
3-Meter Expansion Module Cable	—	193-EXP-CBL-3M
Core Balanced Ground Fault Sensor	193-EIOGP-42-24D	193-CBCT1
	193-EIOGP-22-120	193-CBCT2, 193-CBCT3
	193-EIOGP-22-240	193-CBCT4
Replacement Connectors	193-EIO-63-24D	193-NCIO-63-CNT
	193-EIO-43-120	193-NCIO-43-CNT
	193-EIO-43-240	
	193-EIOGP-42-24D	193-NCIOGP-42-CNT
	193-EIOGP-22-120	193-NCIOGP-22-CNT
	193-EIOGP-22-240	
	193-ESM-VIG-30A-CT	193-NCSM-VIG-CNT
	193-EXP-DIO-42-24D	193-NCXP-DIO-CNT
	193-EXP-DIO-42-120	
	193-EXP-DIO-42-240	
	193-EXP-AIO-31	193-NCXP-AIO-CNT
	193-EXP-PS-DC	193-NCXP-PS-CNT
	193-EXP-PS-AC	
Panel Mount Screw Adapters	193-ESM-I-30A-T	140M-C-N45 ⁽¹⁾
	193-ESM-I-60A-T	
	193-ESM-IG-30A-T	
	193-ESM-IG-60A-T	
	193-ESM-VIG-30A-T	
	193-ESM-VIG-60A-T	
	193-ESM-I-30A-P	
	193-ESM-I-60A-P	
	193-ESM-IG-30A-P	
	193-ESM-IG-60A-P	
	193-ESM-VIG-30A-CT	
	193-ESM-I-100A-T	193-ESM-SA-100 ⁽²⁾
	193-ESM-IG-100A-T	
	193-ESM-VIG-100A-T	
	193-ESM-I-100A-P	
	193-ESM-IG-100A-P	
193-ESM-IG-100A-P		

(1) Sold in multiples of 10. Order quantity of 10 to receive a package of 10 pieces.

(2) Sold in multiples of 10. Order quantity of 1 to receive a package of 10 pieces.

Product Selection

Description	For Use With	Cat. No.
Load Side Terminal Cover	193-ESM-I-200A-D180	193-ESM-TCT-200
	193-ESM-I-200A-T	
	193-ESM-IG-200A-D180	
	193-ESM-IG-200A-T	
	193-ESM-VIG-200A-D180	
	193-ESM-VIG-200A-T	
Contactor Terminal Cover	193-ESM-I-200A-D180	193-ESM-TC-D180
	193-ESM-IG-200A-D180	
	193-ESM-VIG-200A-D180	
Line Side Terminal Cover	193-ESM-I-200A-T	193-ESM-TCT-200
	193-ESM-IG-200A-T	
	193-ESM-VIG-200A-T	

Bulletin 193/592-E300 Specifications

Wiring Diagrams

Figure 1 - Control Module

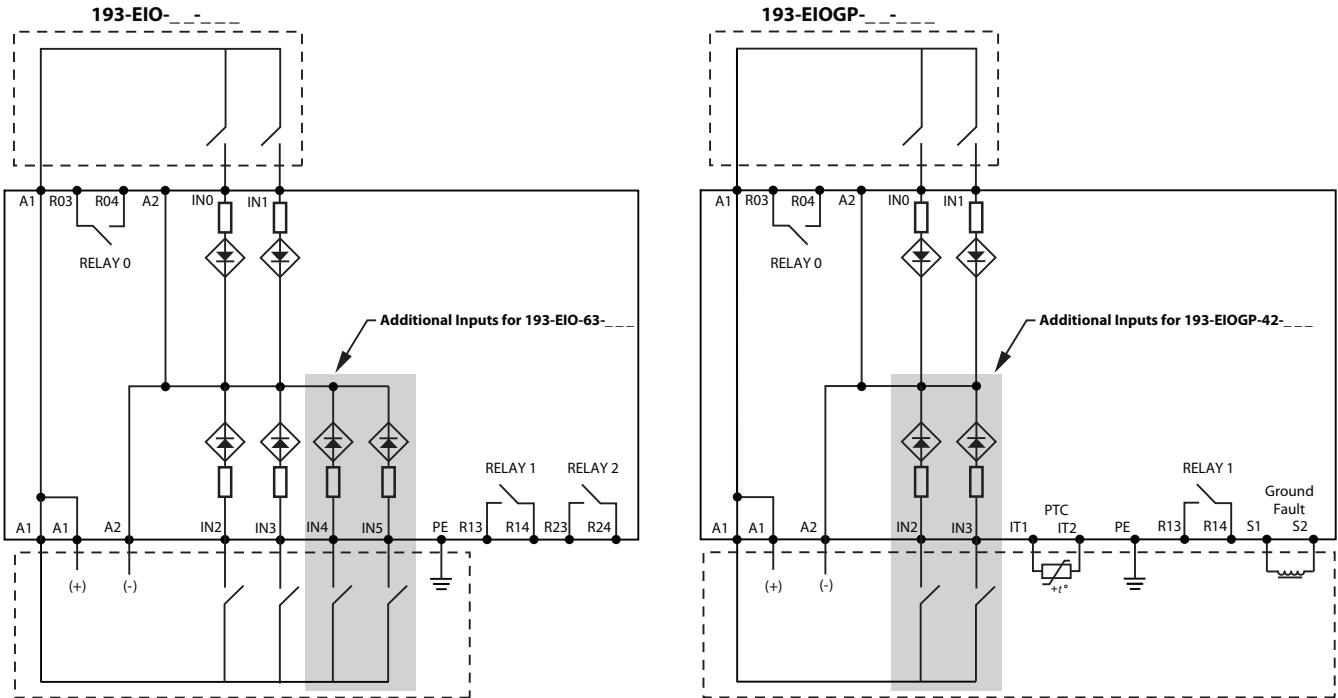


Figure 2 - Expansion Digital I/O Modules 193-EXP-DIO-__

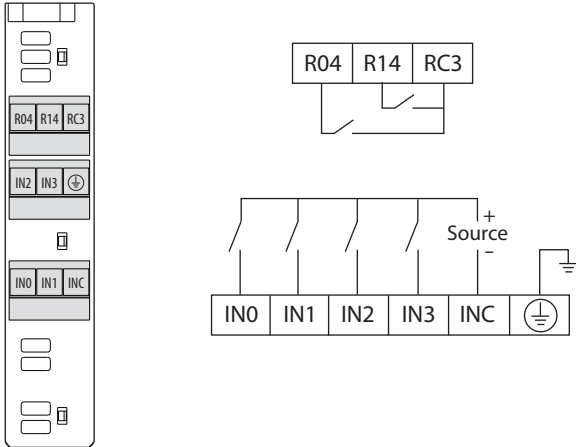


Figure 3 - Expansion Analog I/O Module 193-EXP-AIO-31

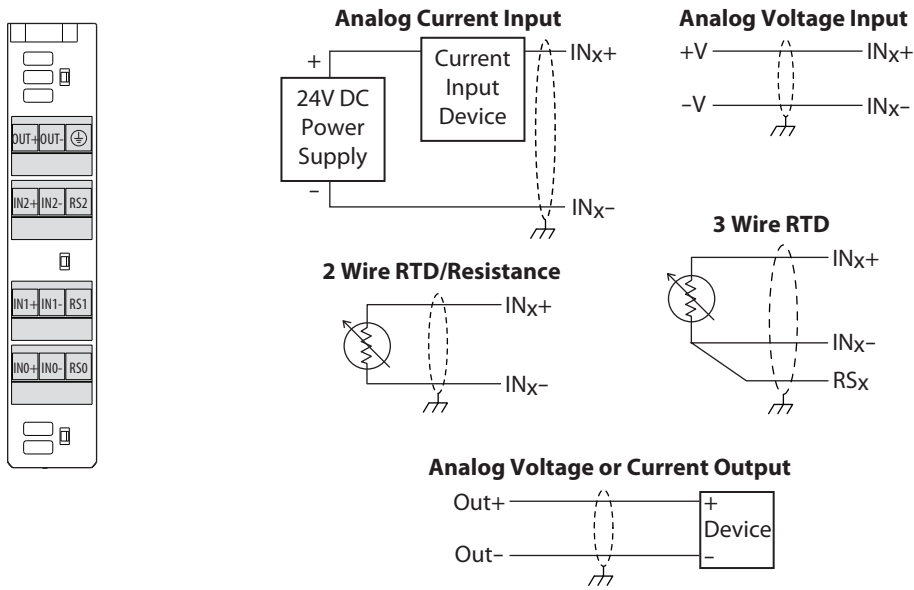
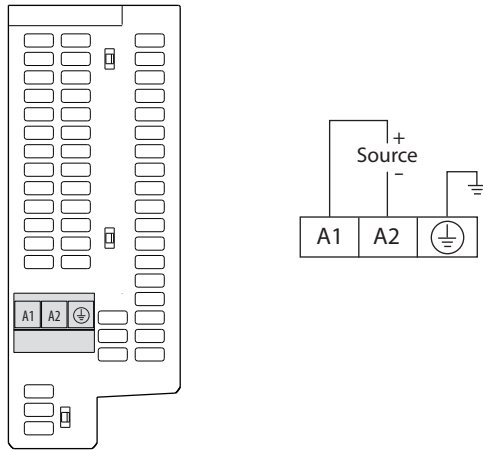


Figure 4 - Expansion Power Supplies 193-EXP-PS-__



Electrical Specifications

Motor/Load Ratings

Terminals	1/L1, 3/L2, 5/L3, 2/T1, 4/T2, 6/T3
Rated Insulation Voltage U_i	690V AC
Rated Operating Voltage U_e , IEC	690V AC
Rated Operating Voltage U_e , UL	690V AC
Rated Impulse Voltage (U_{imp})	6 kV
Rated Operating Current I_e	See product selection table
Rated Frequency	45...65 Hz ⁽¹⁾

(1) Exception: Any E300 Overload Relay that uses an external ground fault sensor is limited to 50/60 Hz detection.

Control Module Power Supply Ratings

Rated Supply Voltage (U_s)	24V DC	120V AC	240V AC
Operating Range	11...30V DC	85...132V AC	159...265V AC
Maximum Inrush Current	3 A for 30 ms	10 A for 1 ms	8 A for 3 ms
Maximum Power Consumption			
E300:	6 W		
E300 with expansion:	8 W		
Maximum Power Interruption Time			
V_{min} :	5 ms	10 ms	10 ms
V_{max} :	5 ms	10 ms	10 ms

Output Relay Ratings (Control Module and Expansion Digital Module)

Relay 0:	R03/R04
Relay 1:	R13/R14
Relay 2:	R23/R24
Type of Contacts	Form A SPST - NO
Rated Thermal Current (I_{the})	5 A
Rated Insulation Voltage (U_i)	300V AC
Rated Operating Voltage (U_e)	250V AC
Rated Operating Current (I_e)	3 A (@120V AC), 1.5 A (@240V AC) 0.25 A (@110V DC), 0.1 A (@220V DC)
Minimum Operating Current	10 mA @ 5V DC
Rating Designation	B300
Utilization Category	AC-15
Resistive Load Rating (p.f. = 1.0)	5 A, 250V AC 5 A, 30V DC
Inductive Load Rating (p.f. = 0.4) (L/R = 7 ms)	2 A, 250V AC 2 A, 30V DC
Short Circuit Current Rating	1,000 A
Recommended Control Circuit Fuse	KTk-R-6 (6 A, 600 V)
Rated Number of Operations	
Relay 0, Relay 1, and Relay 2:	
W/100-C09...100-C55	5,000,000
W/100-C60...100-C97	2,500,000
W/NEMA Size 0...2	1,000,000
W/NEMA Size 3	300,000

Input Ratings (Control Module and Expansion Digital Module)

Input 0:	IN0		
Input 1:	IN1		
Input 2:	IN2		
Input 3:	IN3		
Input 4:	IN4		
Input 5:	IN5		
Supply Voltage	24V DC	120V AC	240V AC
Type of Inputs	Current Sinking		
On-State Voltage	11V DC	74V AC	159V AC
On-State Current (turn-on)	2 mA	5 mA	5 mA
Off-State Voltage	5V DC	20V AC	40V AC
Off-State Current	1.5 mA	2.5 mA	2.5 mA
Transition Voltage	5...11V DC	20...74V AC	40...159V AC
Transition Current	1.5...2.0 mA	2.5...5 mA	2.5...5 mA

Analog I/O Ratings (Expansion Analog Module)

Module	
Bus to In/Out isolation	1000V AC = 1415V DC (1 min.)
Group Isolation (In/Out)	1000V AC = 1415V DC (1 min.)
Channel to channel isolation	None
Max. current draw	85 mA at 24V
Max. Surge Current at Power-Up	0.5 A @ 24V DC for 1 ms
Input Channels	
Input ranges	Current: 0...20 mA, 4...20 mA Voltage: 0...10V, 1...5V, 0...5V RTD: 100 Ω, 200 Ω, 500 Ω and 1000 Ω PT385 and Pt3916, 100 Ω Ni618 and Ni672, 10 Ω Cu 426, 604 Ω NiFe 518 Resistance: 0-150 Ω, 0-750 Ω, 0-3000 Ω, 0-6000 Ω
Input Impedance Tolerances	Current Impedance: 249 Ω ± 1.0% Voltage Impedance: 10M at 10V _{in} 4M at 5V _{in} 680k at 1V _{in}
Input resolution	12 bits
Output Channels	
Output ranges	Current: 0...20 mA, 4...20 mA Voltage: 0...10V, 0...5V, 1...5V
Output Resolution	12 bits
Voltage Output Load	2k Ω min. at 10V output (5 mA max.), including wire resistance
Current Output Load	50 Ω minimum to 750 Ω max
Output Impedance	Current: >1MΩ, Voltage: <1 Ω
Output Open Circuit detect	Current outputs: O.C. detect supported Voltage outputs: O.C. detect not supported
Max Inductive Load (current outputs)	0.1 mH
Max Capacitive Load (voltage outputs)	1 μF

Thermistor/PTC Input Ratings (PTC only)

Terminals	IT1, IT2
Type of Control Unit	Mark A
Maximum Number of Sensors	6
Maximum Cold Resistance of PTC Sensor Chain	1500 Ω
Trip Resistance	3400 $\Omega \pm 150 \Omega$
Reset Resistance	1600 $\Omega \pm 100 \Omega$
Short-circuit Trip Resistance	25 $\Omega \pm 10 \Omega$
Maximum Voltage @ PTC Terminals ($R_{PTC} = 4 \text{ k}\Omega$)	7.5V DC
Maximum Voltage @ PTC Terminals ($R_{PTC} = \text{open}$)	30V DC
Response Time	800 ms

Low Voltage Directive

The E300 Electronic Overload Relay expansion digital modules are tested to comply with EN60947-5-1 Low-voltage switchgear and controlgear Part 5-1: Control circuit devices and switching elements.

Expansion Digital I/O Modules

Expansion Digital I/O Modules	193-EXP-DIO-42- 24D	193-EXP-DIO-42- 120	193-EXP-DIO-42- 240
Digital Output Rated Operational Voltage (U_o)	250V AC	250V AC	250V AC
Digital Output Rated Insulation Voltage (U_i)	2000V _{rms} for 1 s	2000V _{rms} for 1 s	2000V _{rms} for 1 s
Rated Impulse Withstand Voltage (U_{imp})	NA	NA	NA
Conditional Short-Circuit Current	1000 A	1000 A	1000 A
Recommended Control Circuit Fuse	KTK-R (6 A, 600V)	KTK-R (6 A, 600V)	KTK-R (6 A, 600V)
Utilization Category	AC15, DC13	AC15, DC13	AC15, DC13
Pollution Degree	3	3	3

Expansion Power Supply Modules

Expansion Digital I/O Modules	193-EXP-PS-AC	193-EXP-PS-DC
Rated Operational Voltage (U_o)	100...250V AC	21.6...26.4V DC
Rated Insulation Voltage (U_i)	2640V _{rms} for 1 s	500V for 60s
Rated Impulse Withstand Voltage (U_{imp})	4 kV	0.5 kV
Conditional Short-Circuit Current	NA	NA
Protection against Short Circuits	NA	NA
Utilization Category	NA	NA
Pollution Degree	3	3

Environmental Specifications

Note: The E300 Electronic Overload Relay expansion power supplies (Cat. Nos. 193-EXP-PS-AC and 193-EXP-PS-DC) surrounding air temperature must not exceed 55 °C (131 °F).

Ambient Temperature	
Storage	-40...+85 °C (-40...+185 °F)
Operating (open)	-20...+55 °C (-4...+131 °F)
Operating (enclosed)	-20...+40 °C (-4...+104 °F)
Humidity	
Operating	5...95% Non-condensing
Damp Heat – Steady State (per IEC 68-2-3)	92% r.h., 40 °C (104 °F), 56 days
Damp Heat – Cyclic (per IEC 68-2-30)	93% r.h., 25 °C/40 °C (77 °F/104 °F), 21 Cycles
Cooling Method	Natural convection
Vibration (per IEC 68-2-6)	2.5 G operating, 5 G non-operating
Shock (per IEC 68-2-27)	30 G
Maximum Altitude	2000 m ⁽¹⁾
Pollution Environment	Pollution Degree 3
Terminal Marking	EN 50012
Degree of Protection	IP20

(1) Exception: Any E300 Overload Relay that uses an external ground fault sensor is limited to 50/60 Hz detection.

Electromagnetic Compatibility Specifications

Electrostatic Discharge Immunity	
Test Level	8kV Air Discharge, 6kV Contact Discharge
Performance Criteria	1 ⁽¹⁾⁽²⁾
Radio Frequency Immunity	
Test Level	10V/m
Performance Criteria	1 ⁽¹⁾⁽²⁾
Electrical Fast Transient/Burst Immunity	
Test Level	4kV (Power), 2kV (Control & Comm)
Performance Criteria	1 ⁽¹⁾⁽²⁾
Surge Immunity	
Test Level	2kV (L-E), 1kV (L-L)
Performance Criteria	1 ⁽¹⁾⁽²⁾
Radiated Emissions	Class A
Conducted Emissions	Class A

(1) Performance Criteria 1 requires the DUT to experience no degradation or loss of performance

(2) Environment 2

Protection

General Protection

Protection Type	Trip	Warning	Protection Type	Trip	Warning
Overload	Yes	Yes	Over Frequency	Yes	Yes
Phase Loss	Yes	No	Under Real Power (kW)	Yes	Yes
Ground Fault	Yes	Yes	Over Real Power (kW)	Yes	Yes
Stall	Yes	No	Under Reactive Power Consumed (+kVAR)	Yes	Yes
Jam	Yes	Yes	Over Reactive Power Consumed (+kVAR)	Yes	Yes
Underload	Yes	Yes	Under Reactive Power Generated (-kVAR)	Yes	Yes
Thermistor (PTC)	Yes	Yes	Over Reactive Power Generated (-kVAR)	Yes	Yes
Current Imbalance	Yes	Yes	Under Apparent Power (kVA)	Yes	Yes
Remote Trip	Yes	No	Over Apparent Power (kVA)	Yes	Yes
Blocked Start/Start Inhibit	Yes	No	Under Power Factor Lagging (-PF)	Yes	Yes
Under Voltage L-L	Yes	Yes	Over Power Factor Lagging (-PF)	Yes	Yes
Over Voltage L-L	Yes	Yes	Under Power Factor Leading (+PF)	Yes	Yes
Voltage Unbalance	Yes	Yes	Over Power Factor Leading (+PF)	Yes	Yes
Phase Rotation	Yes	Yes	Power Value Overflow (kW, kVAR or KVA)	Yes	Yes
Under Frequency	Yes	Yes	Over Analog	Yes	Yes

Overload Protection

Type of Relay	Ambient Compensated Time-Delay Phase Loss Sensitive
Nature of Relay	Solid-State
FLA Setting	See user manual
Trip Rating	120% FLA
Trip Class	5...30
Reset Mode	Automatic or Manual
Overload Reset Level	1...100% TCU

Ground Fault Protection

Type	Core Balanced
Intended Use	Equipment Protection
Classification (Per UL 1053)	Class I and Class II
External Protection Range	20...100 mA
	100...500 mA
	200 mA...1.0 A
	1.0...5.0 A
Internal Protection Range	0.5...5.0 A
Trip & Warning Time Delay	0.1...25.0 s
Protection Inhibit Time	0...250 s

Accuracy

Metering

Current	±2% of Sensing Module Current Range
Ground Fault Current	±5% of Full Scale
Voltage	±2% of Sensing Module Voltage Range
Power	±5% of Sensing Module Current and Voltage Range

Protection Timers

All E300 Electronic Overload Relay trip timers have a resolution of ± 0.1 s or 0.1 s/25 s (whichever is greater).

Approximate Dimensions

Bulletin 193/592-E300 Approximate Dimensions

Dimensions are in millimeters (inches). Dimensions are not intended to be used for manufacturing purposes.

Figure 5 - E300 Overload Relay Mounted on Bulletin 100-C09...-C23 Contactor

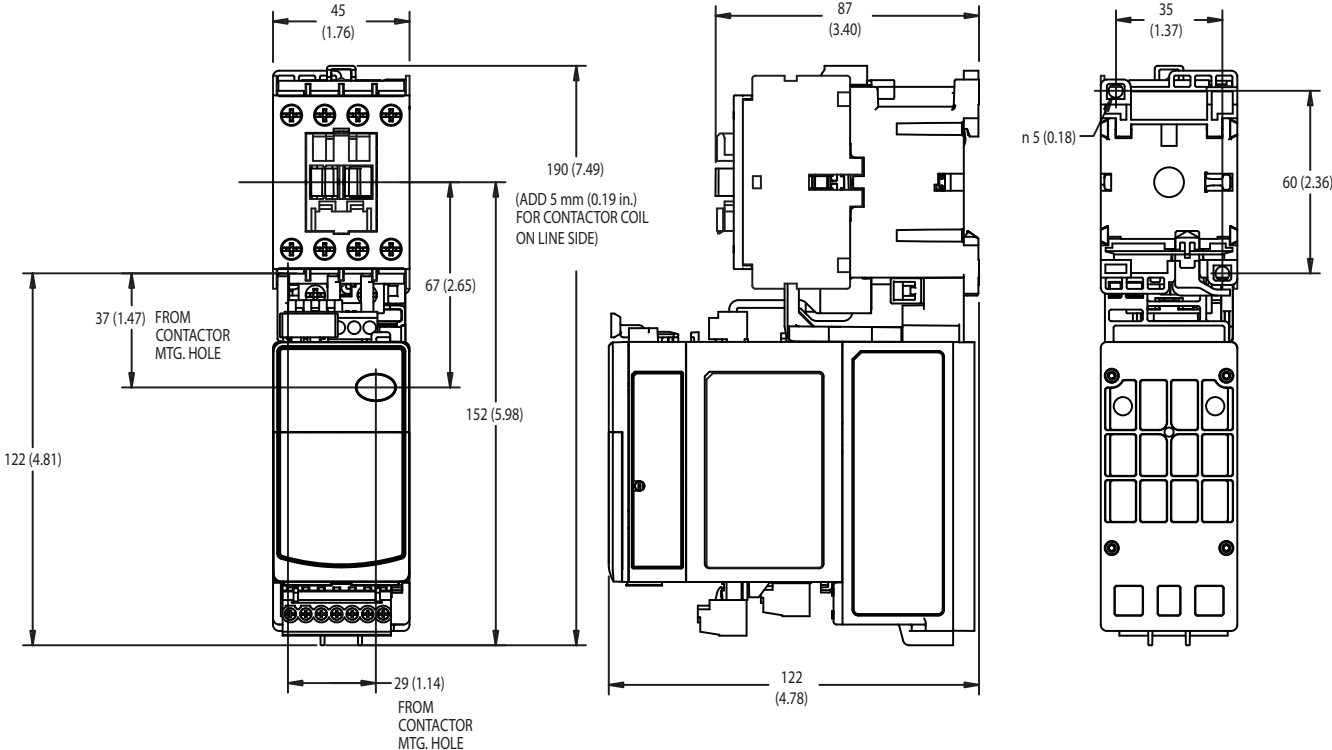


Figure 6 - E300 Overload Relay Mounted on Bulletin 100-C30...-C37 Contactor

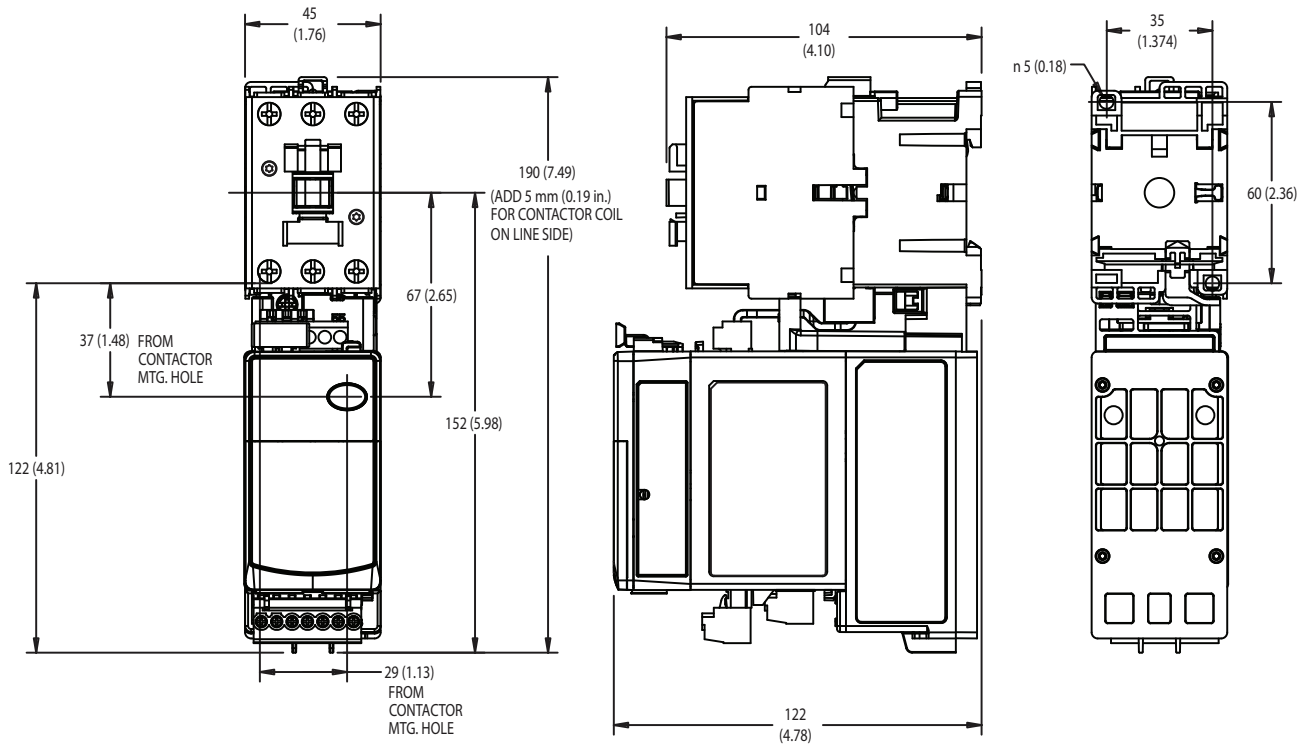


Figure 7 - E300 Overload Relay Mounted on Bulletin 100-C43...-C55 Contactor

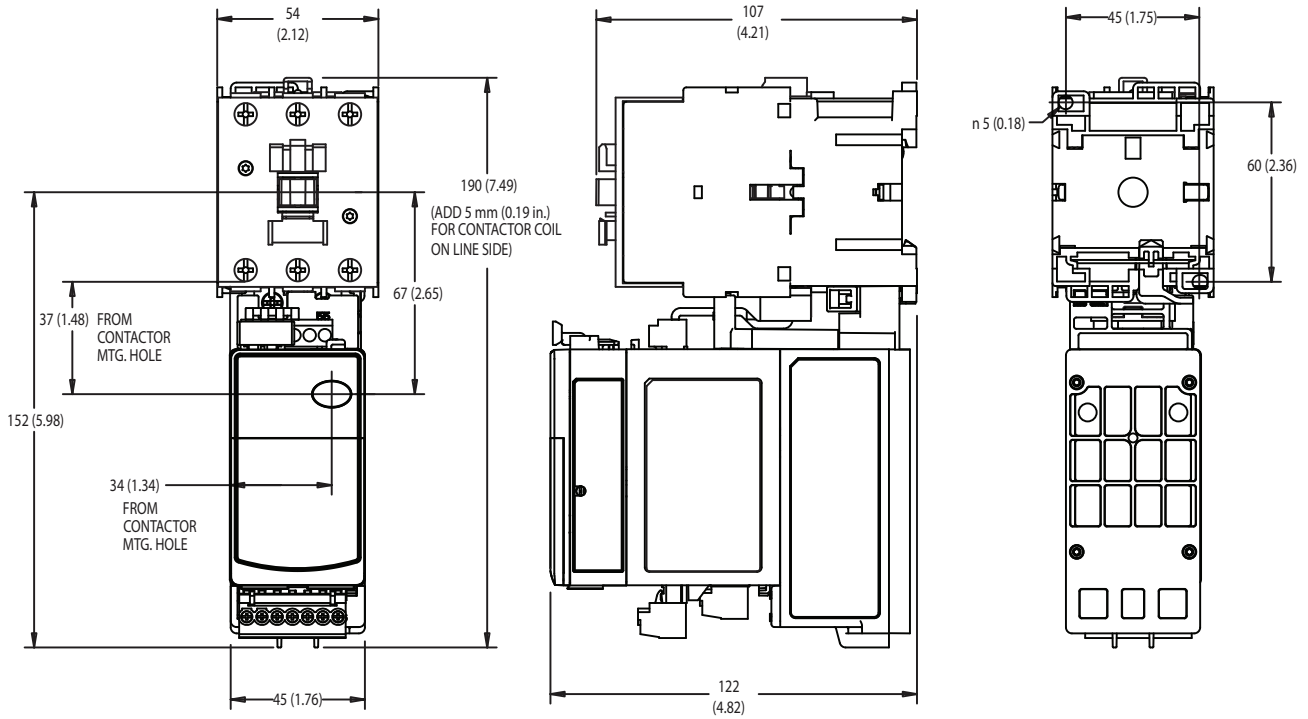


Figure 8 - E300 Overload Relay Mounted on Bulletin 100-C60...-C97 Contactor

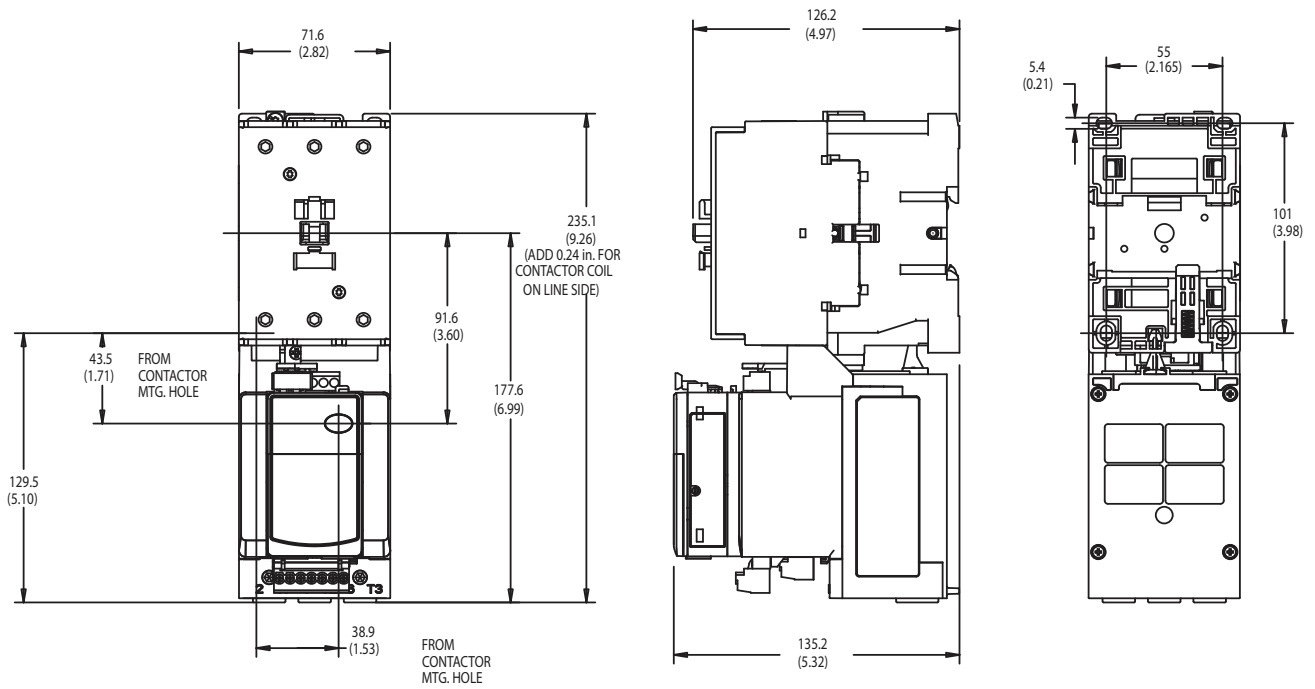


Figure 9 - E300 Sensing Module 193-ESM-___-D180 with 100-D115...-D180 Contactor

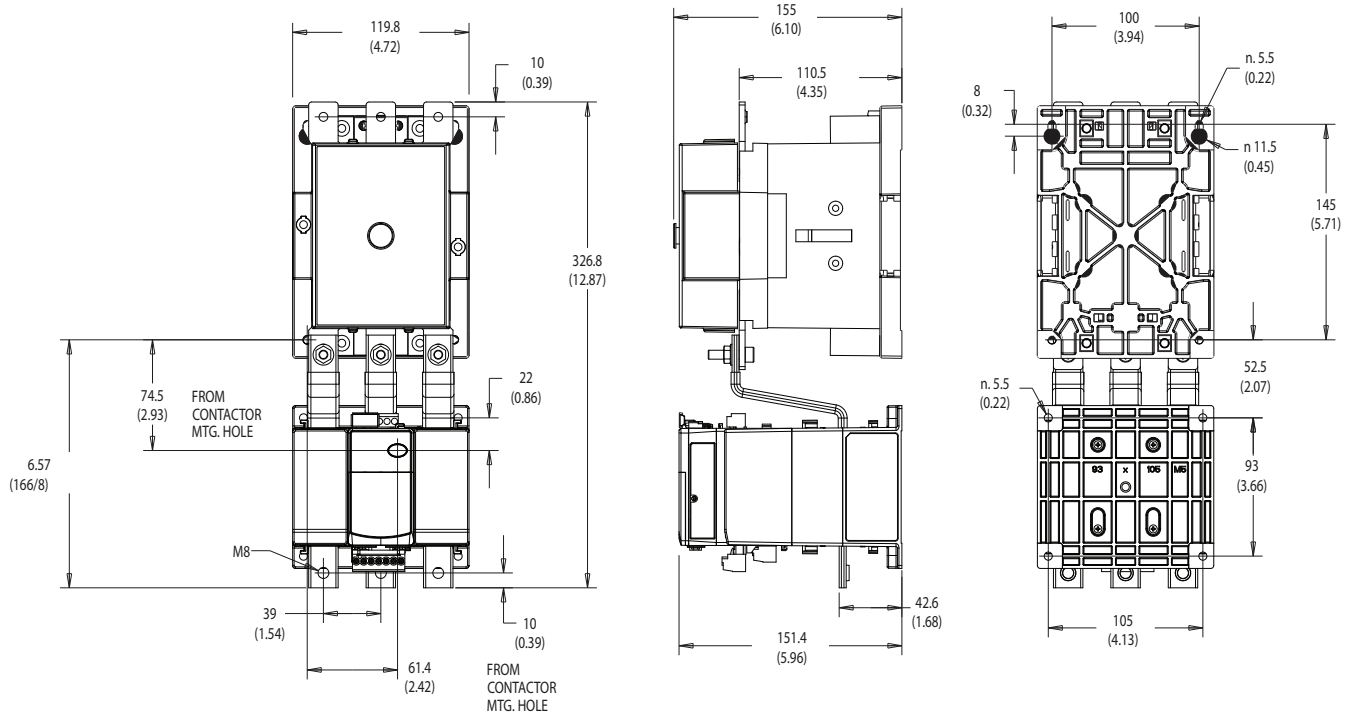


Figure 10 - E300 Sensing Module 193-ESM-___ - ___-D180 with 100-D115...-D180 Contactor and Terminal Covers

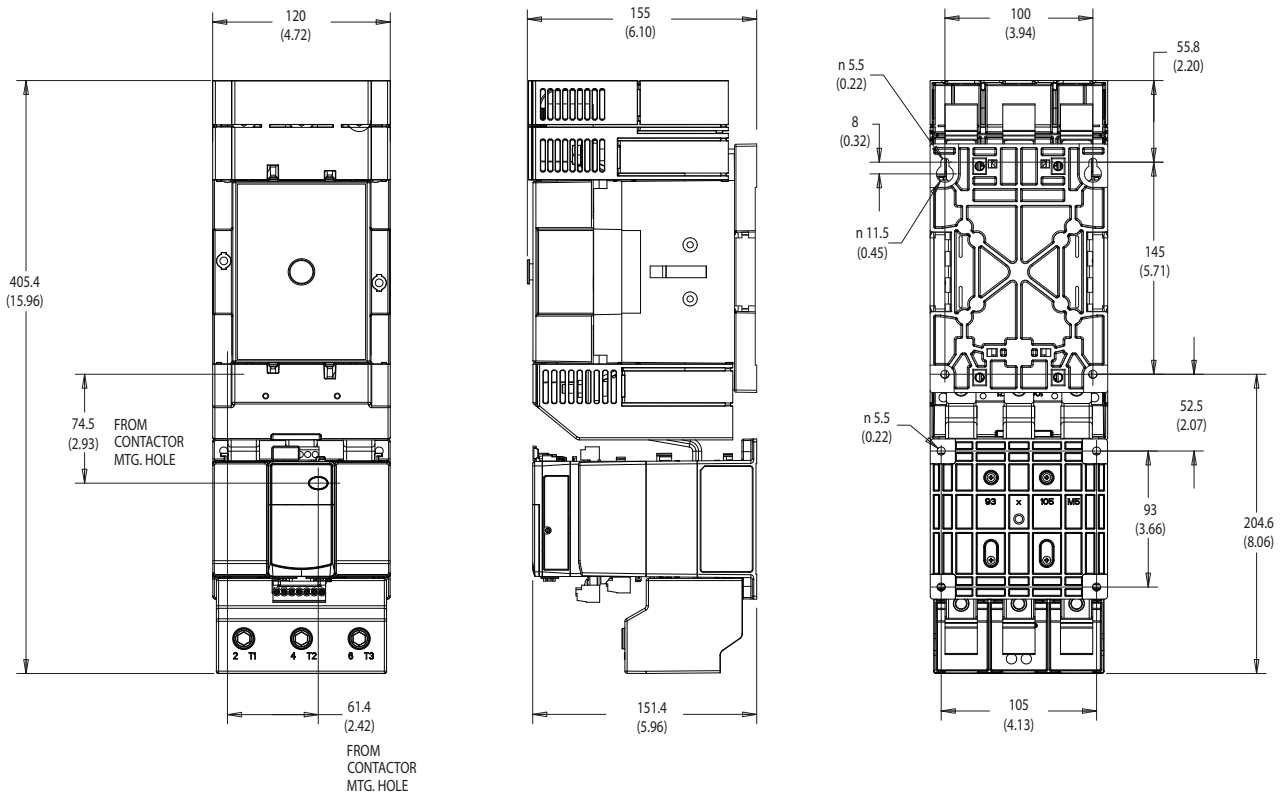


Figure 11 - E300 Overload Relay Mounted on Bulletin 500 NEMA Size 0 and Size 1 Contactor

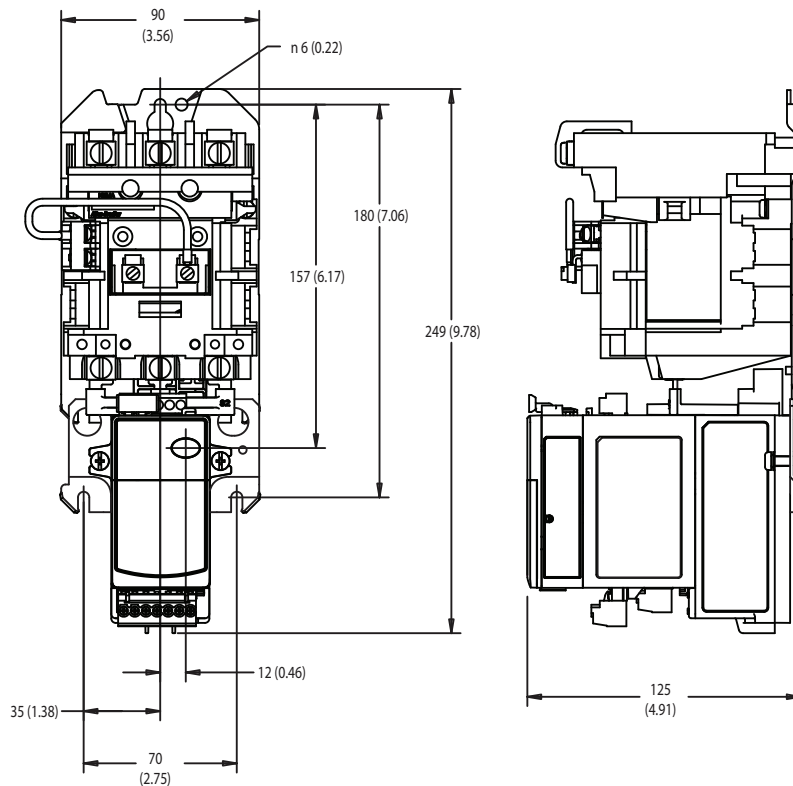


Figure 12 - E300 Overload Relay Mounted on Bulletin 500 NEMA Size 2 Contactor

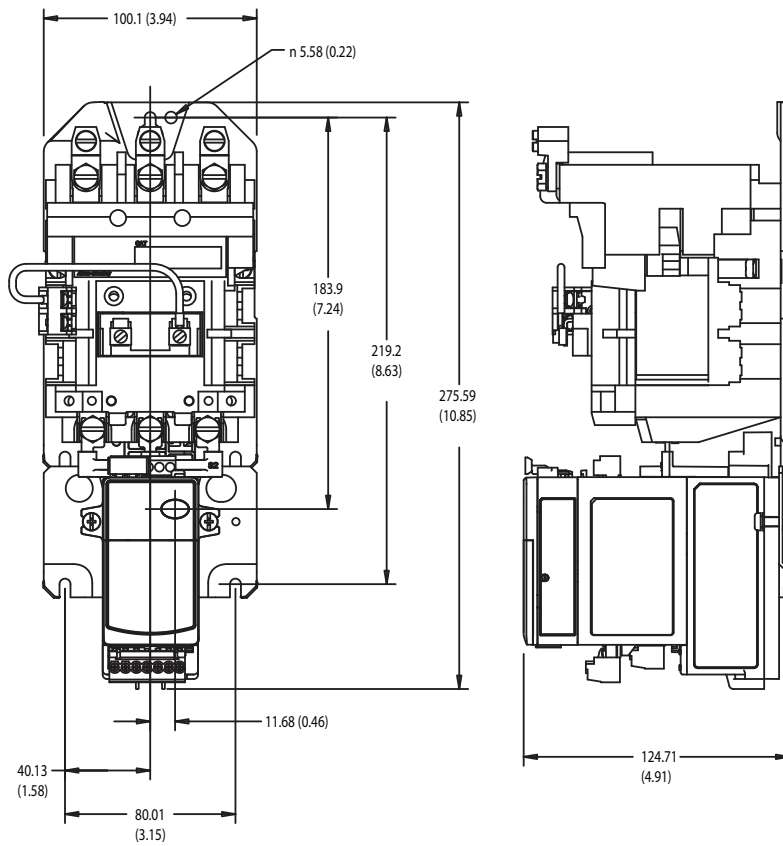


Figure 13 - E300 Overload Relay Mounted on Bulletin 500 NEMA Size 3 Contactor

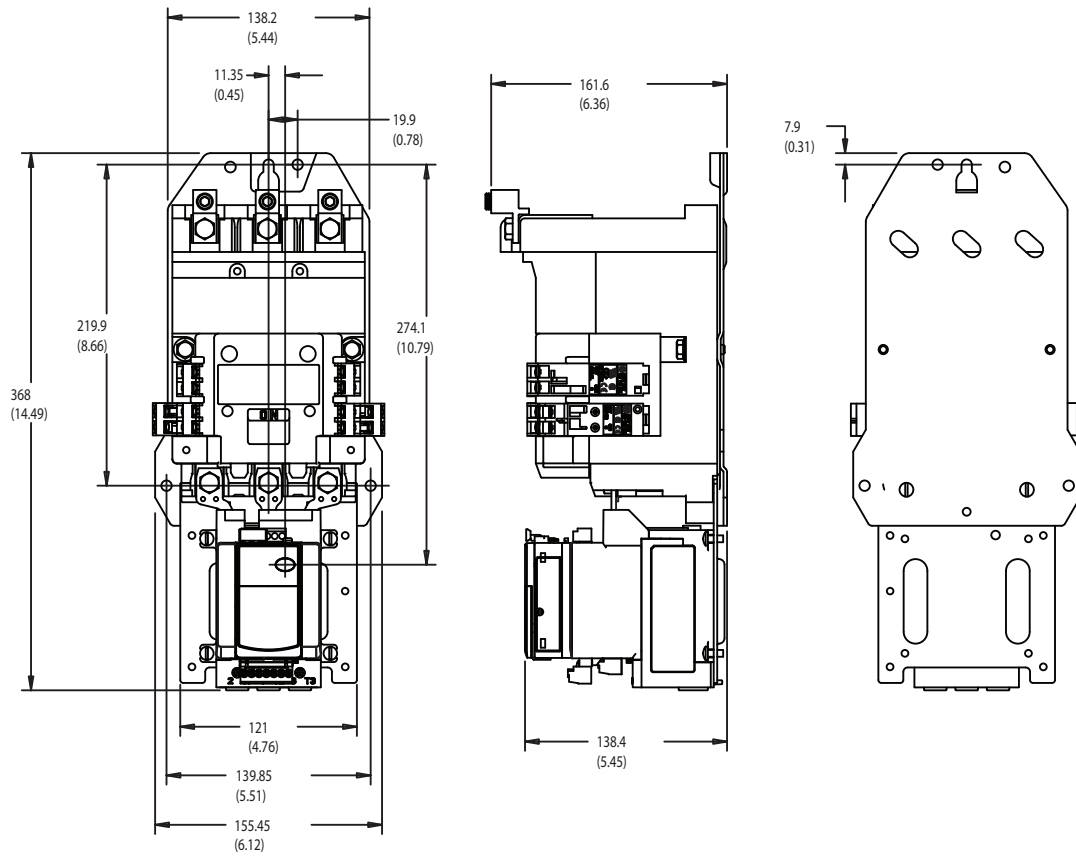


Figure 14 - E300 Sensing Module 592-ESM-___-___-S4 with NEMA Contactor Size 4

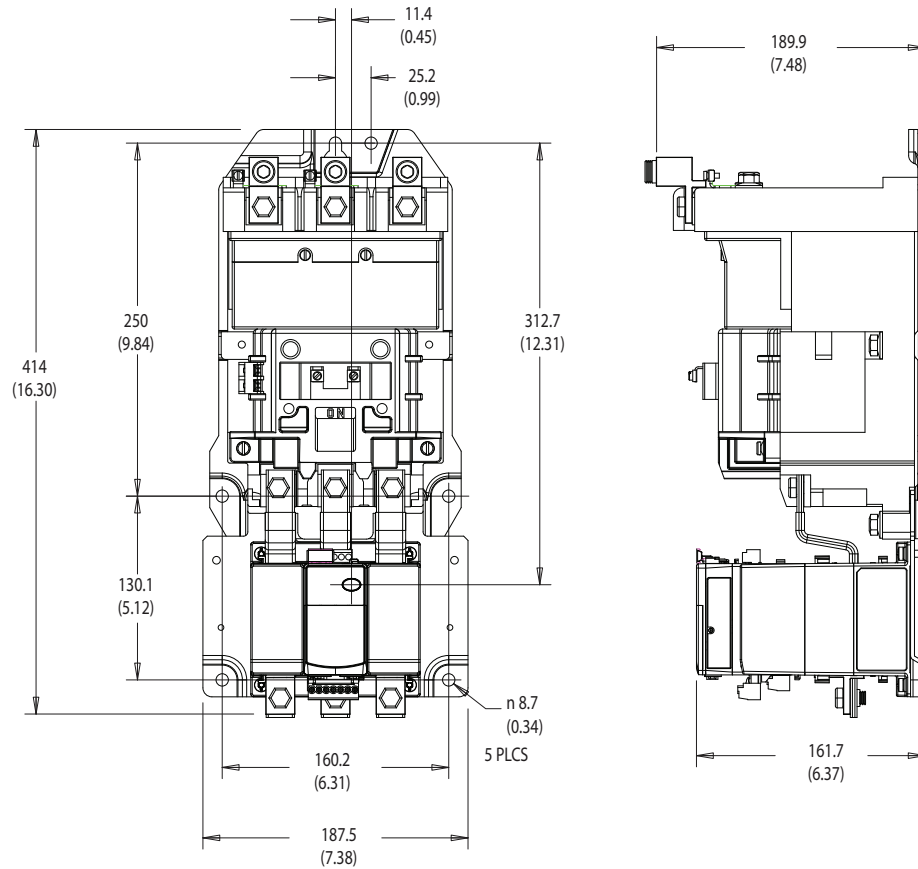


Figure 15 - E300 Overload Relay, 193-ESM-___-30A-E3T and -60A-E3T, DIN Rail/Panel Mounted

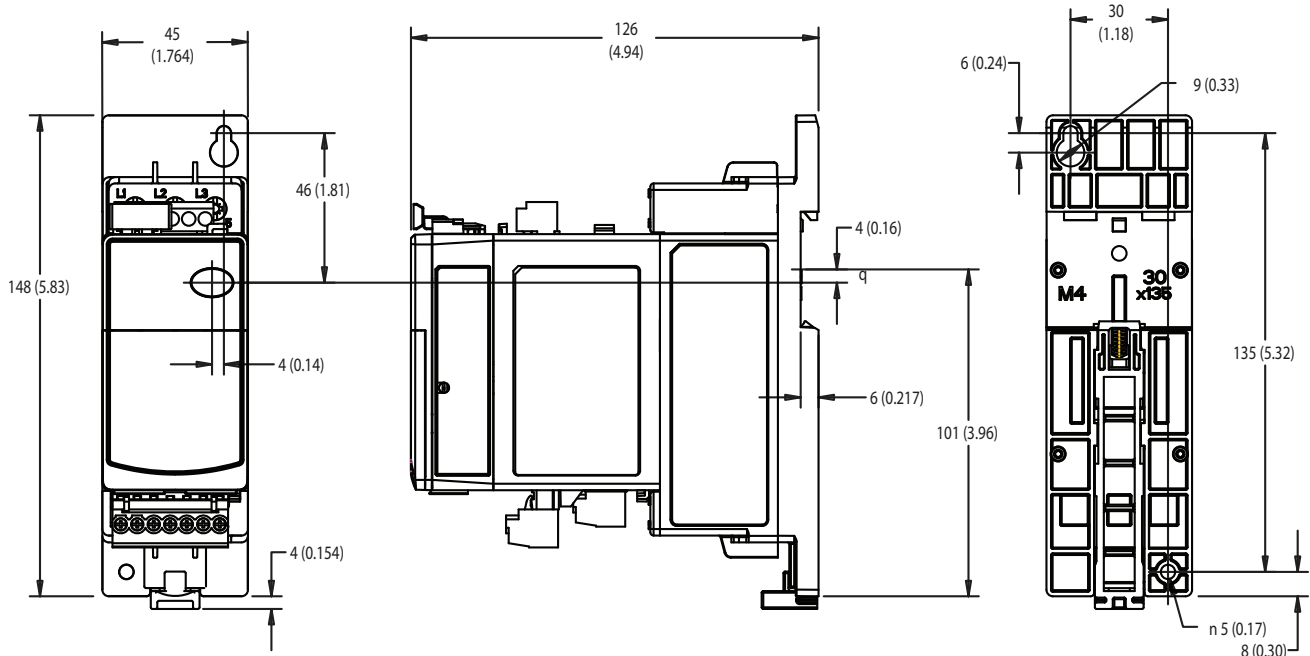


Figure 16 - E300 Overload Relay, 193-ESM-___-100A-E3T, DIN Rail/Panel Mounted

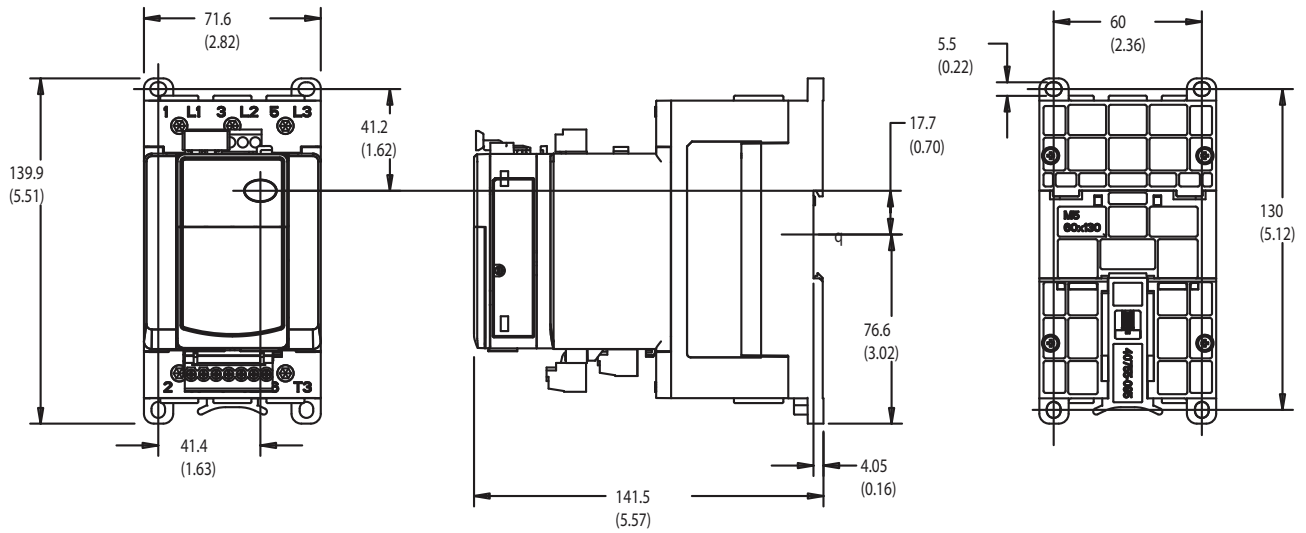


Figure 17 - E300 Overload Relay, 193-ESM-___-30A-T and -60A-T, DIN Rail Mounted

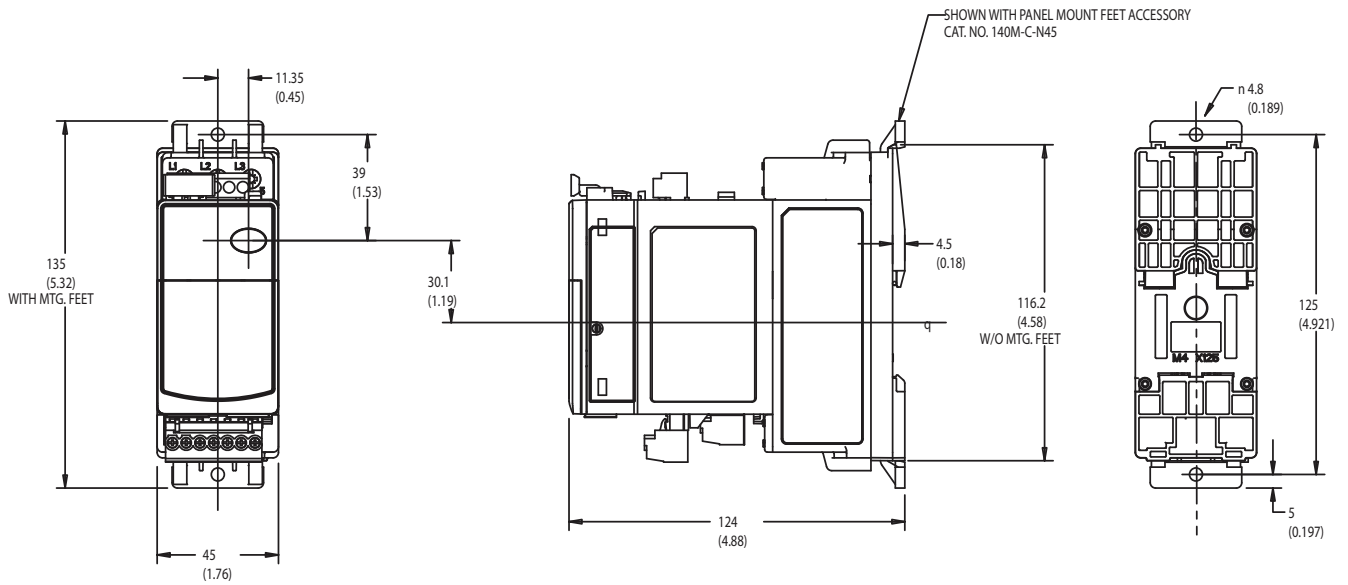


Figure 18 - E300 Overload Relay, 193-ESM-____-100A-T, DIN Rail Mounted

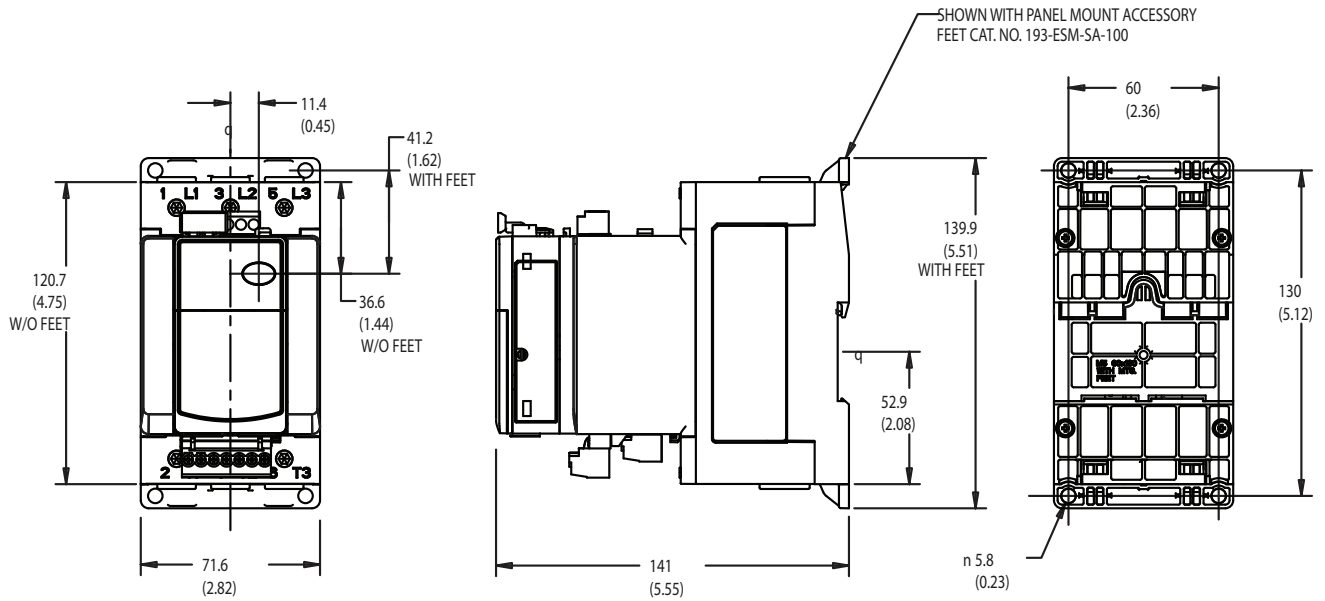


Figure 19 - E300 Sensing Module 193-ESM-____-200A-T, DIN Rail Mounted

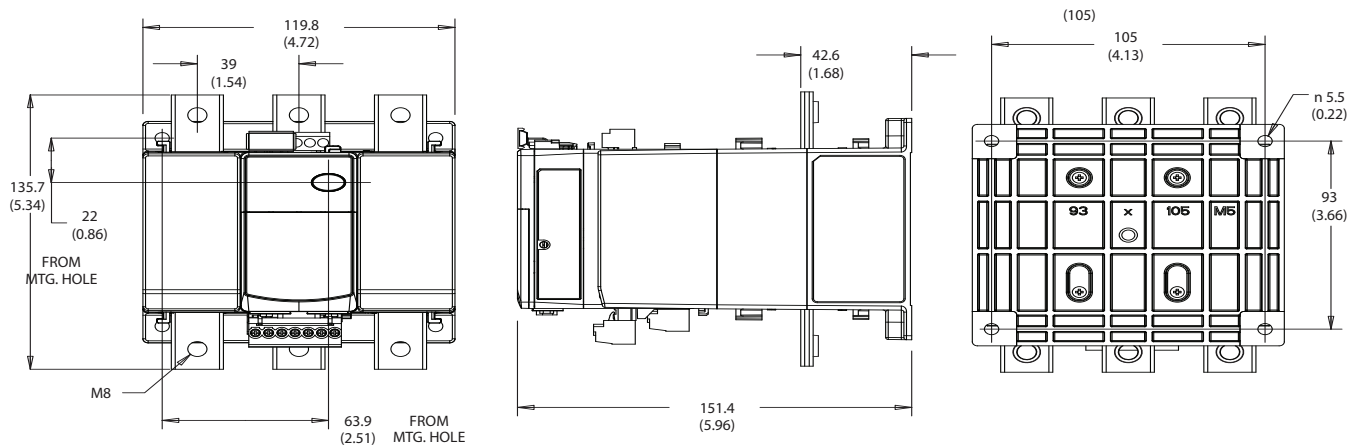


Figure 20 - E300 Sensing Module 193-ESM-____-200A-T with Terminal Covers

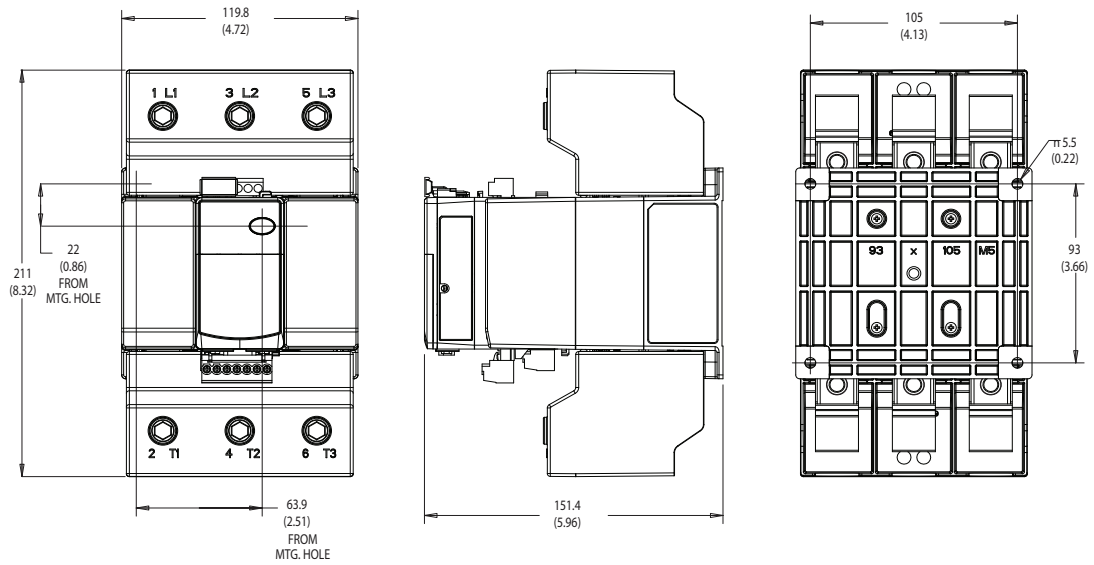


Figure 21 - E300 Overload Relay, 193-ESM-____-30A-P, -30A-CT, and -60A-P, DIN Rail Mounted

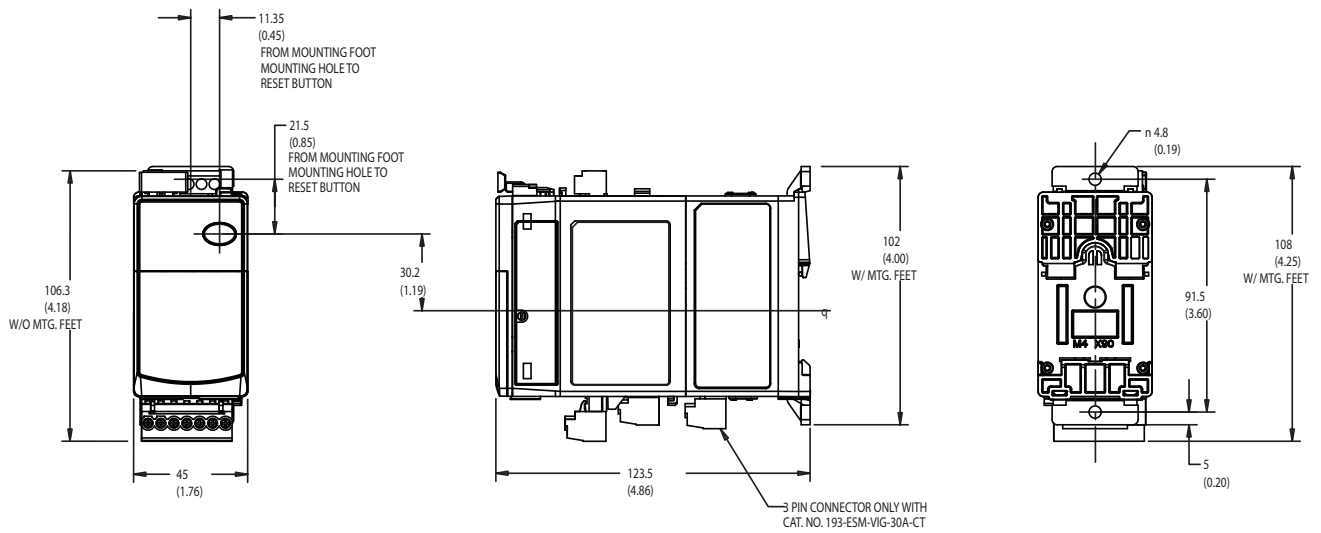


Figure 22 - E300 Overload Relay, 193-ESM-___-100A-P, DIN Rail Mounted

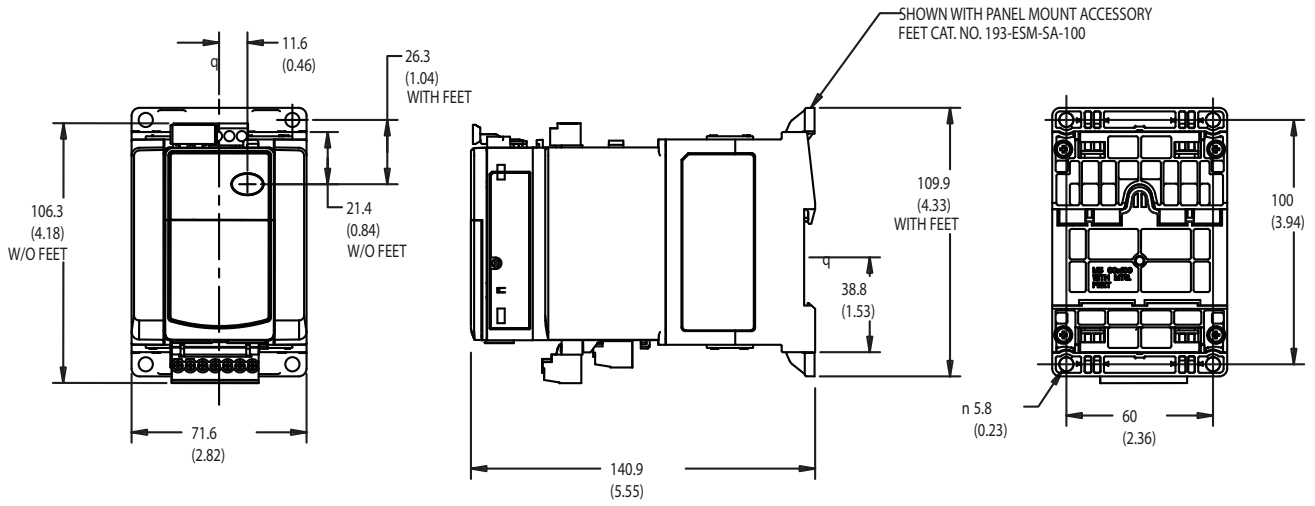


Figure 23 - E300 Sensing Module 193-ESM-___-200A-P, DIN Rail Mounted

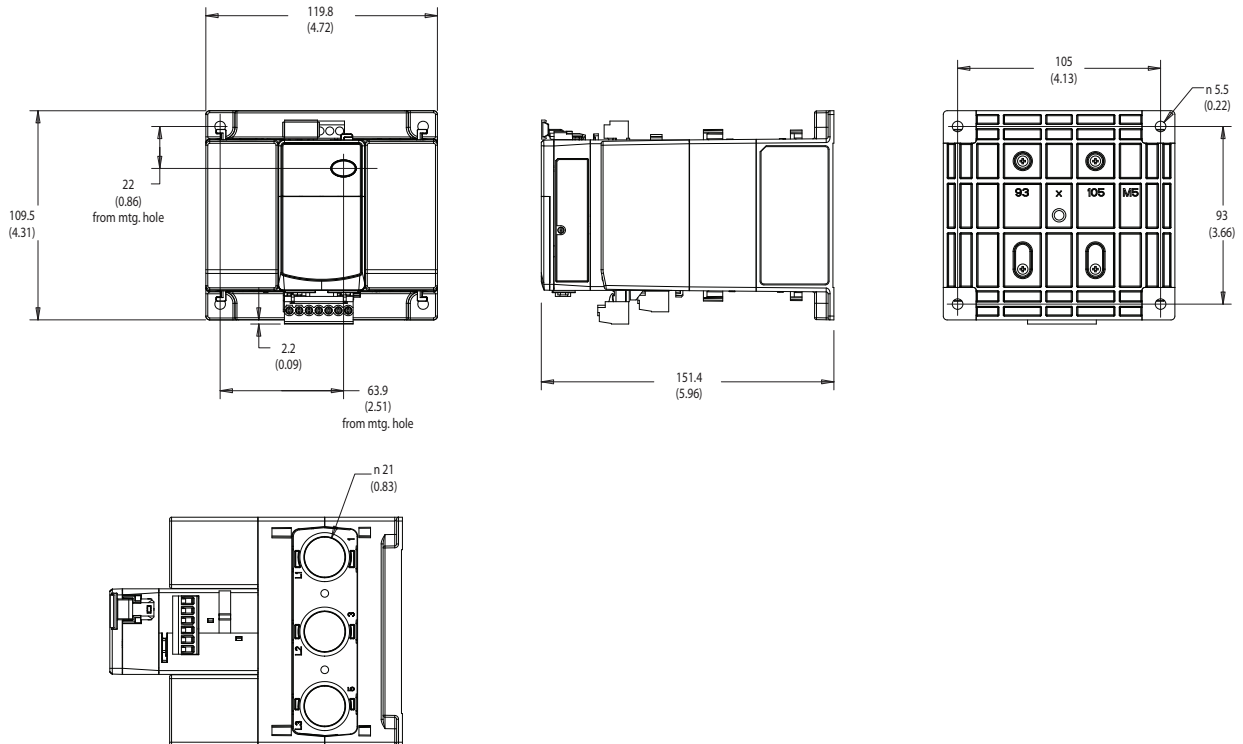


Figure 24 - E300 Digital Expansion Module 193-EXP-DIO-___

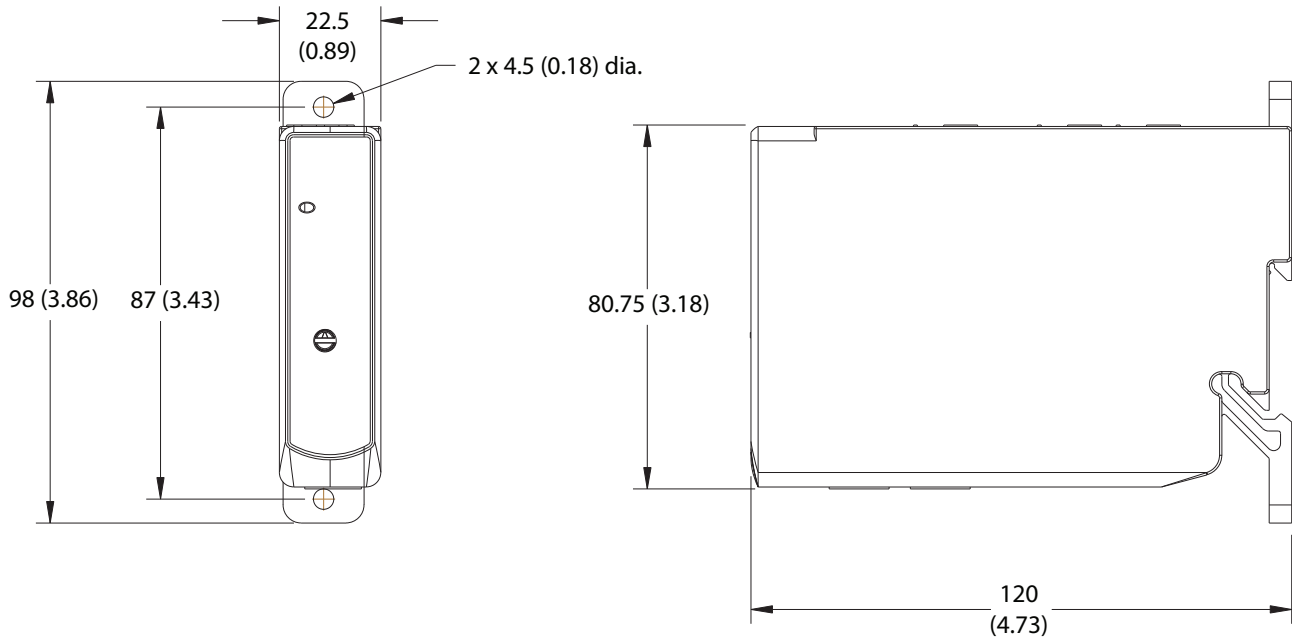


Figure 25 - E300 Analog Expansion Module 193-EXP-AIO-31

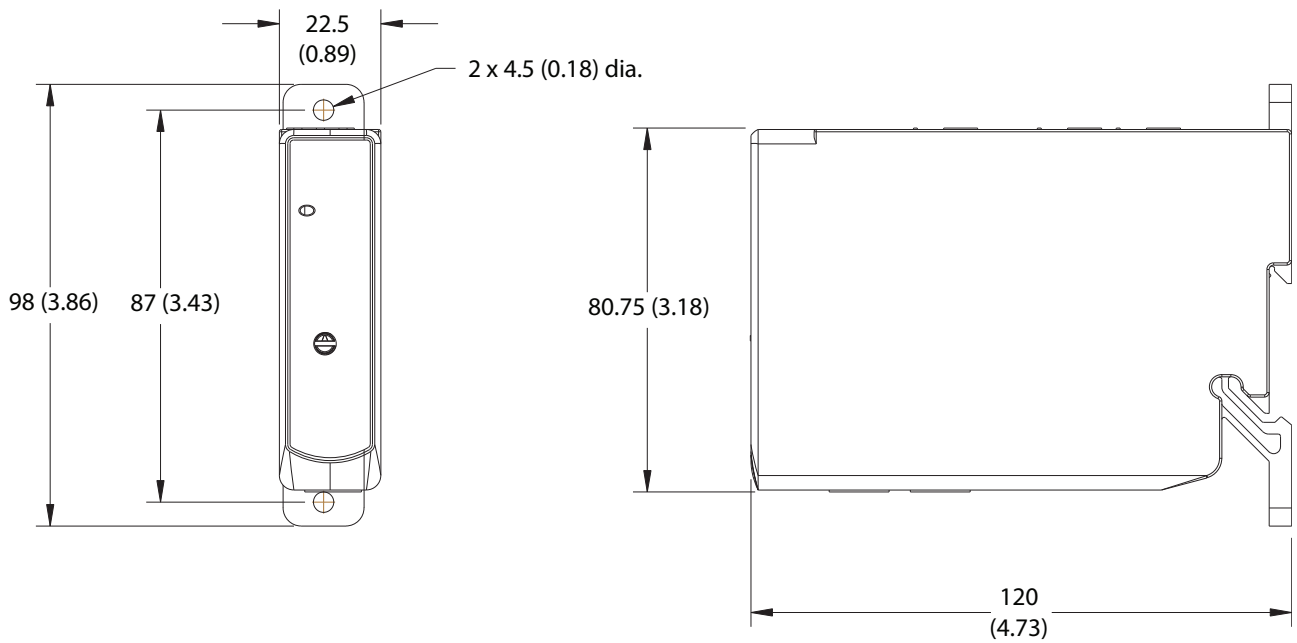


Figure 26 - E300 Expansion Power Supply 193-EXP-PS-___

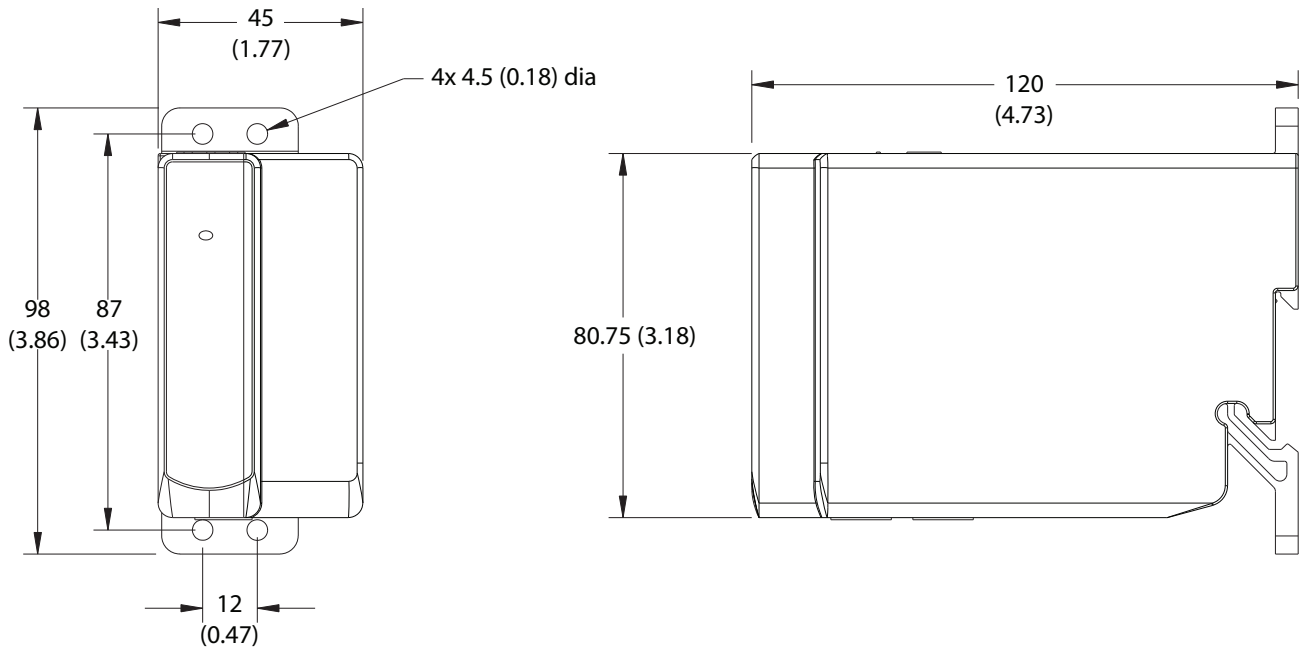


Figure 27 - E300 Starter Control Station 193-EOS-SCS

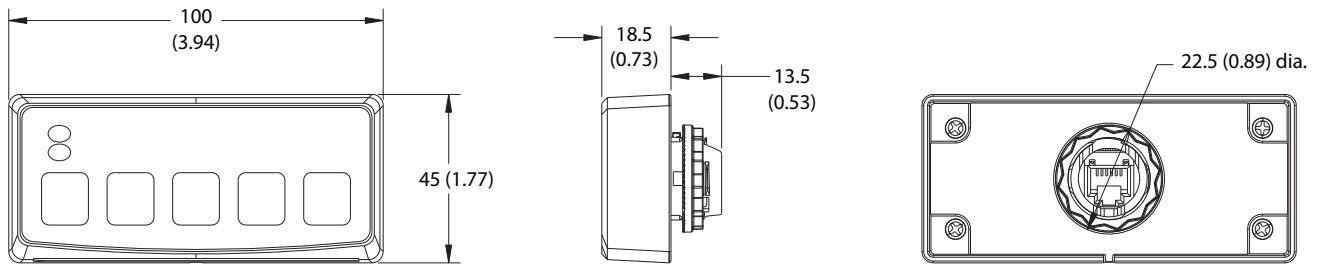
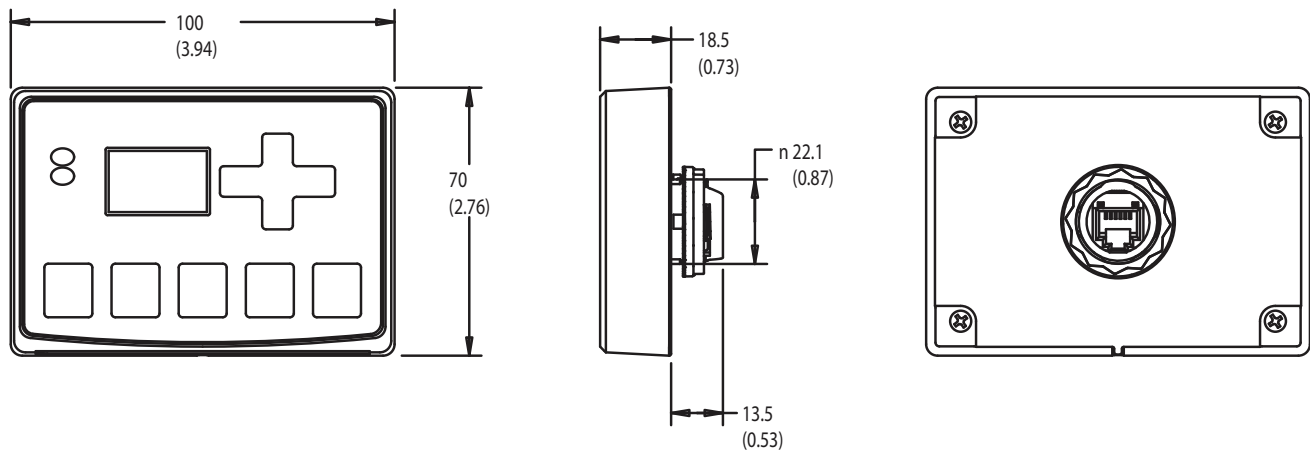


Figure 28 - E300 Starter Diagnostic Station 193-EOS-SDS



Allen-Bradley, Rockwell Software, Rockwell Automation, and LISTEN. THINK. SOLVE are trademarks of Rockwell Automation, Inc.
Trademarks not belonging to Rockwell Automation are property of their respective companies.

www.rockwellautomation.com

Power, Control and Information Solutions Headquarters

Americas: Rockwell Automation, 1201 South Second Street, Milwaukee, WI 53204-2496 USA, Tel: (1) 414.382.2000, Fax: (1) 414.382.4444
Europe/Middle East/Africa: Rockwell Automation NV, Pegasus Park, De Kleetlaan 12a, 1831 Diegem, Belgium, Tel: (32) 2 663 0600, Fax: (32) 2 663 0640
Asia Pacific: Rockwell Automation, Level 14, Core F, Cyberport 3, 100 Cyberport Road, Hong Kong, Tel: (852) 2887 4788, Fax: (852) 2508 1846